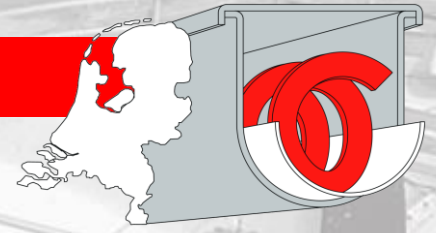
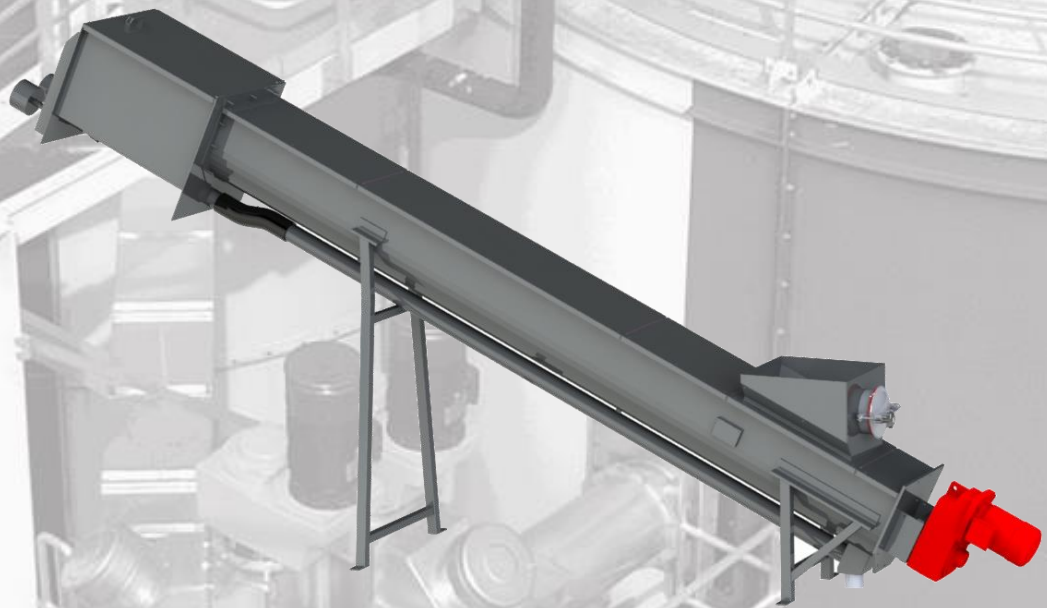


# SPIRAL PRESS



**Dutch Spiral**



## BENEFITS

**SIMPLE AND ROBUST DESIGN**

**FULLY SEALED LIDS AND DISPOSAL SYSTEMS TO MINIMIZE ODOUR**

**SPACE SAVING**

**SHAFTLESS SPIRAL PREVENTS MATERIAL BUILD UP**

**TRANSPORTS AND DEWATERS WET, STRINGY, STICKY MATERIALS**

**LOW OPERATING COSTS DUE TO DIRECT DRIVE WITH LOW POWER CONSUMPTION**

**LOW WEAR AND TEAR DUE TO LOW ROTATIONAL SPEED**

## DESCRIPTION

The spiral press combines **simplicity, robustness, conveying and effective dewatering in one system**. The spiral press is based on a shaftless spiral a press zone and dewatering zone. The pressure on the outlet is **easily adjusted** which results in volume and weight reduction up to 70% and dewatering up to 50% DS. The spiral press can be just for **all kind of wet materials** such as screenings, manure, paper pulp and a various of other materials. The end product can be received in an **endless bagging system or in a container**. This reduces possible odour nuisance.

The design is made in **different sizes** to obtain high capacities in relation to low energy consumption and a minimal in wear with an optimal performance.

### Trough Liners

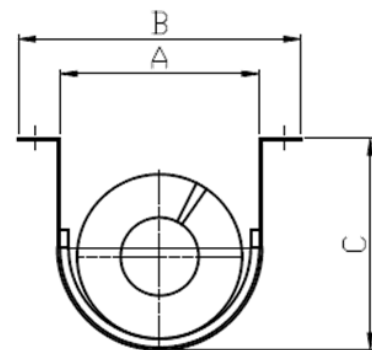
The spirals weight is carried by a lining which covers the inside of the troughs. Depending on the type of transported material Dutch Spiral has range of different types of liners. This range has **more than 15 different types** from Ultra High Molecular Polyethylene with **wear indication** to high performance wear resistant steel. Our **experts** can help you chose the right material for the job.



## STANDARD SIZING

Model	SP-190	SP-240	SP-290	SP-350	SP-460
A (mm)	230	280	330	390	500
B (mm)	326	376	426	486	596
C (mm)	245	318	345	410	530

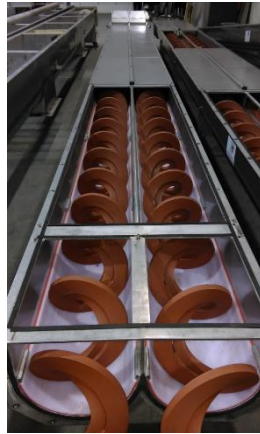
*Dimensioning is indicative for information purposes only.*



## DUTCH SPIRAL

Dutch Spiral is a **family-owned** company located in the Netherlands. Our **key product** is the fabrication of **spirals and products in which they perform well**.

Dutch Spiral's strength lays in making customized, affordable, good quality products. If the standard size is not suitable, our flexibility can help you out and we can build you a **custom design**. Options are **unlimited** and our sales engineers and engineering department are used to making the right **creative solutions**.



### GENERAL OFFICE AND MANUFACTURING

LORENTZWEG 9  
2964LN GROOT-AMMERS  
THE NETHERLANDS

### TELEPHONE

(0031) 184 – 605355

### FAX

(0031) 184 – 605359

### HOME PAGE

[WWW.DUTCHSPIRAL.COM](http://WWW.DUTCHSPIRAL.COM)

