

◀ **CIRCULAR CLARIFIER
SYSTEMS**



▼ Over 330 installations in 3 continents



▼ With over 60 years of design and commissioning expertise, you can be assured that your Hydroflux Epco clarifier will perform consistently with a long service life.

Hydroflux Epco clarifiers have been in operation since the late 1960's, in municipal water and wastewater treatment plants, industrial and mining applications.

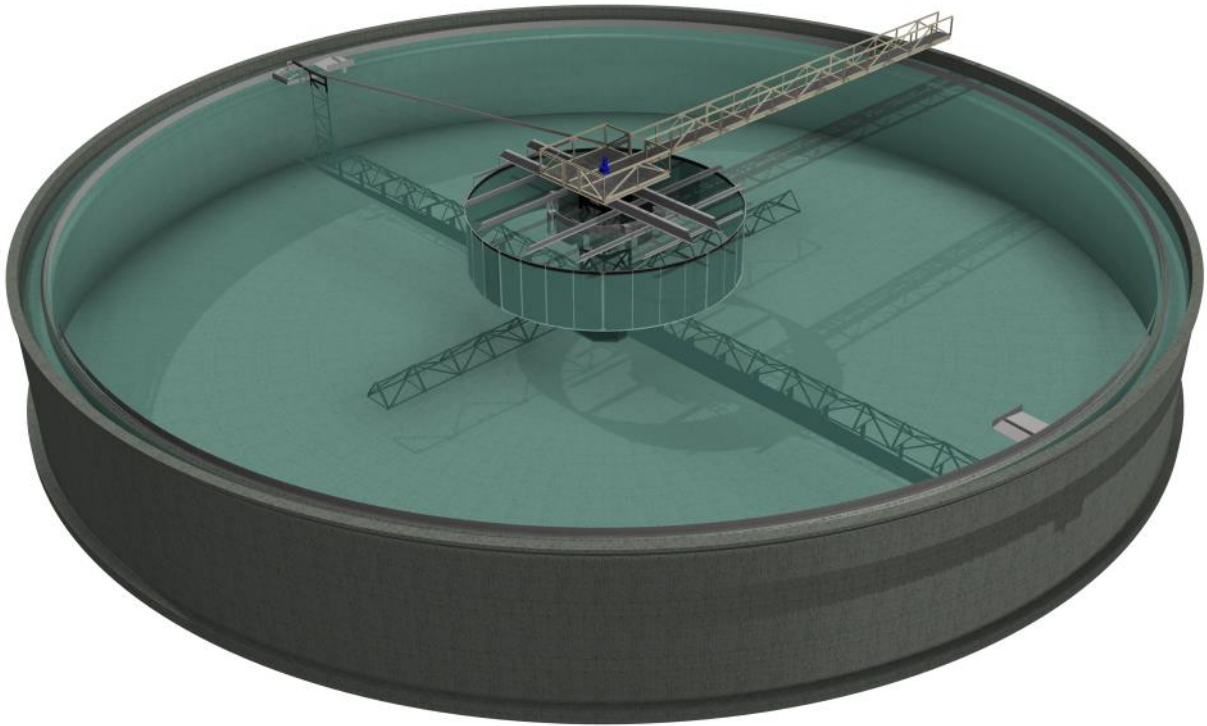
Design Configurations

- ▼ The Hydroflux EpcO clarifier range includes the following configurations:
- Full and half bridge fixed
 - Full and half bridge peripheral drive
 - LogMax® Log spiral scraper mechanisms
 - VeeMax® Chevron type fixed scrapers
 - HeadMax® Suction headers



HYDROFLUX
epco

Key Features



- ▼ Robust construction with heavy duty design
- ▼ Extensive design expertise with over 330 installations in 3 continents
- ▼ Minimises denitrification flotation
- ▼ No scouring of sludge blanket
- ▼ Proven drive arrangement, for both centre drive and peripheral designs
- ▼ Reliable heavy duty scraper designs for all mechanical scraper and suction systems
- ▼ Self cleaning FlocWell™ centre well design that promotes flocculation

45M Diameter Rotating Bridge Clarifier with LogMax®



Applications

- ▼ Municipal Sewage Treatment
 - Primary clarification
 - Secondary clarification
 - Tertiary clarification

- ▼ Municipal Water Treatment
 - River water clarification
 - Backwash water recovery
 - Sludge thickening
 - Lime softening

- ▼ Seawater Desalination
 - Backwash water recovery
 - Lime softening

- ▼ Industrial and Mining
 - Primary solids and precipitate removal
 - Secondary clarification
 - Tertiary clarification
 - Raw water clarification



References

- ▼ Mt St John STP, Australia
 - 3 x 45M Clarifiers
 - LogMax® sludge removal system
 - Secondary clarification



- ▼ Launders Chute WTP, Australia
 - 1 x 9M VeeMax® Clarifier
 - Potable water treatment
 - Lime softening



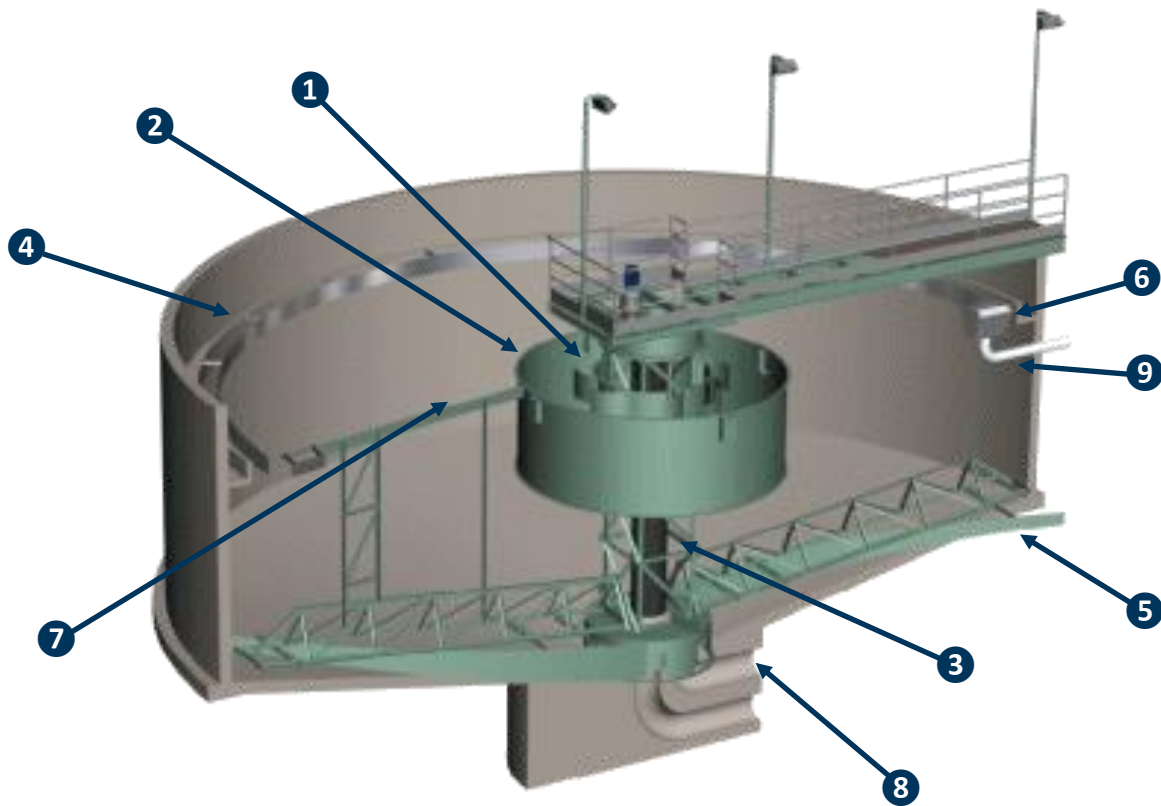
- ▼ ACC Beef, Australia
 - 1 x 15M HeadMax® Suction Head Clarifier
 - Secondary clarification industrial



- ▼ Subiaco STP, Australia
 - 4 x 20M Secondary Clarifiers
 - LogMax® sludge removal system
 - Secondary clarification with full CoverSweep® covers

HYDROFLUX
epco

System components



1 EdiGate®

Energy dissipation inlet, to reduce the turbulence of incoming wastewater

2 FlocWell™

Promotes flocculation and diverts sludge to the bottom of the clarifier

3 Centre Column

Central support of structure and inlet flow to clarifier

4 Peripheral Launder

Capturing of clarified effluent for discharge

5 Sludge Removal

Options include LogMax®, VeeMax® and HeadMax®

6 Scum Box

Collection point of scum from the surface

7 Scum Scraper

Rotating blade on the surface to harvest scum

8 Sludge Outlet

Discharge point of settled sludge

9 Scum Discharge

Scum discharge point from underside of scum box

Sludge Removal

LOGMAX[®]

Logarithmic sludge plow designed for collection of lighter suspended sludges. Effective logarithmic angle range of between 15° and 45° and can travel at tip speeds up to 10m per minute.



VEEMAX[®]

Chevron pattern sludge plow designed for heavy, relatively viscous, sludges. The VeeMax[®] sludge plow can be readily adapted to sludge thickening with the addition of the picket fence module.



HEADMAX[®]

Suction design ensures rapid sludge removal and lower sludge blanket depth, reducing the potential of sludge rising. HeadMax[®] is available in both header and tube configurations.

HYDROFLUX
epco

Optional Features

▼ Scum Boxes

For collecting surface scum, the design varies with tank size and wind direction.

▼ CoverSweep®

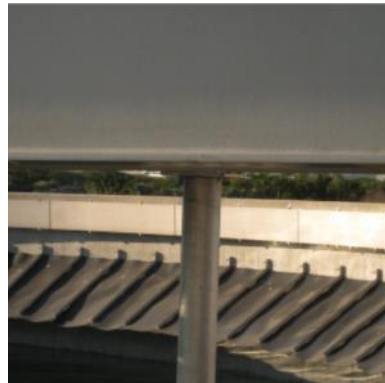
Eliminate light in effluent launders to reduce algal growth. Hinged with latches to prevent lifting.

▼ Stamford Baffles

For eliminating density current flows that disturb regular flocculant settlement. Prevents sludge from rising up into the effluent trough.

▼ CleanSweep® Launder Cleaning System

For removal of algae from the effluent trough, the brush system trails the rotating bridge and constantly brushes the through walls.



HYDROFLUX
epco

Build Specification

- ▶ In general Hydroflux Epco clarifiers are fabricated with wetted parts from stainless steel, and the bridge and general fabrication steel work above water line in grade 250 mild steel epoxy coated.

The following table summarises the major components and their most common material selection. Variations on the material specifications can be made, please consult Hydroflux Epco for further detail.



SECTION	SPECIFICATION
Centre Column	Rolled painted mild steel
Bridge	Painted mild steel
EdiGate®	Stainless structure with hinged doors
FlocWell™	Stainless structure with HDPE sheeting
Scraper System	Stainless steel 304/316
Squeegees	Neoprene
Scum Box	Stainless steel 304/316
V-Notch weirs and baffles	Stainless steel 304/316
CoverSweep®	Fibreglass, Aluminium or Stainless steel
Wheels	UHMWPE with or without metal hubs

Refurbishment

Hydroflux Epco has undertaken numerous refurbishment projects, whereby existing clarifiers have been overhauled with new components as follows:

- New centre columns
- New FlocWell™ and EdiGate®
- New LogMax®
- Replacement scraper systems
- WHS compliance upgrades, with movement detectors and fall arrestors



“Hydroflux Epco can provide new clarifier internals and refurbish existing systems regardless of the clarifier tank design, geometry or OEM”

Hydroflux Epco Pty Ltd

Australia and Australasia

Head Office:

Level 26, 44 Market Street
Sydney NSW 2000 Australia

Victorian Office:

84 Hotham St. Preston
VIC 3072 Australia

Sutherland Engineering Office:

3-5 Stapleton Ave.
Sutherland NSW 2232 Australia

Queensland Office:

1 Westlink Court
Darra QLD 4076

Int: +61 2 9089 8833

Aus: 1300 417 697

info@hydrofluxepco.com.au

www.hydrofluxepco.com.au

New Zealand

Head Office:

Level 26, PwC Tower
188 Quay St
Auckland 1010, New Zealand

Int: +64 9 352 2052

NZ: 09 352 2052

info@hydroflux.nz

www.hydroflux.nz

Fiji and Pacific Islands

Head Office:

Suva Business Centre
217 Victoria Parade
Suva, Fiji

Int: +679 773 6950

Fiji: 773 6950

info@hydroflux.com.fj

www.hydroflux.com.fj

United Kingdom and Europe

Head Office:

1000 Lakeside North Harbour Western Road
Portsmouth PO6 3EZ

Int: +44 23 9270 4087

UK: 0239 270 4087

info@hydroflux.uk

www.hydroflux.uk

Hydroflux EPCO is GRS Certified to the following standards

ISO 45001 SAFETY MANAGEMENT SYSTEM



Certificate Number: 4774801610007

ISO 14001 ENVIRONMENTAL MANAGEMENT SYSTEM



Certificate Number: 47714001610007

ISO 9001 QUALITY MANAGEMENT SYSTEM



Certificate Number: 4779001610007

ISO 31000 RISK MANAGEMENT SYSTEMS



Certificate Number: 477310006176001

LogMax®, VeeMax®, HeadMax®, EdiGate®, CoverSweep®, CleanSweep® & EPCO® are all registered trademarks of Hydroflux Epco Pty Ltd